



Dualframe 75mm Si

Tilt Before Turn Window

Sapa Building System

Dualframe 75mm Si

Tilt Before Turn

NEW

High

Performance

Window

Suite

Dualframe 75mm Si Tilt Turn window suite is the first in a new generation of window and façade products. Utilising advanced polyamide thermal break technology, Dualframe 75mm Si provides high thermal performance without the need to resort to complex and costly sealed unit specifications.

Drawing from the tried and tested design principles of Dualframe, the Si designation will be progressively rolled out across all of the main Dualframe window and façade configurations.

Tilt/turn windows are an ideal solution for high rise or commercial applications, combining ventilation with easy cleaning facilities and large span openings.

Dualframe 75mm Si tilt/turn windows have a unique operating action that minimises the risk of damage to the product or injury to the operator. The handle is key operated and the key must be inserted in order to access the turn mode. Once the window is closed, it automatically defaults to the tilt only mode.

Hinges are concealed within the frame, which removes colour matching issues and prevents a clash with plaster lines. Flush vents and flat profiles combine to create a simple and streamlined appearance, whilst an 88mm sightline maximises viewing area without compromising the u-value of the window.

NEW

Key Product Features

- Tilt/turn and fixed lights available, including frame couplers and curtain wall interface
- BS7950 Accredited and therefore part of Sapa's Secured by Design range
- External beading requires no additional components to comply with BS7950
- Highest class weather performance for water tightness, air permeability and wind resistance
- Tailed gaskets and centre seal reduce thermal radiation and mean that costly foam inserts into the profiles are not required
- 1.6 u Value can be achieved using standard spacer in double glazed units*
- 1.4 u Value can be achieved warm edge technology in double glazed units**
- WER "A" rating can be achieved using double glazed units

* To GGF commercial window configuration

** Using Super Spacer

Thermal
Performance

Weather
Performance

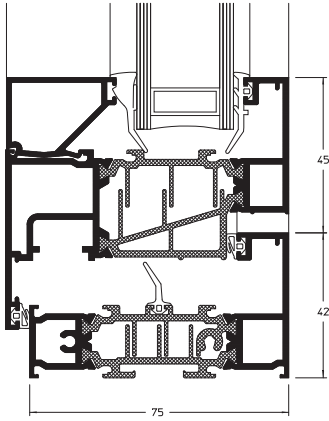
Tested to BS6375:Part 1:2004 and achieved the highest classification

	Opening Lights	Fixed Lights
Water Tightness	Class 9A (600 pascals)	Class 9A (600 pascals)
Air Permeability	Class 4 (600 pascals)	Class 4 (600 pascals)
Wind Resistance	Class E (2400 pascals)**	Class E (2400 pascals)**

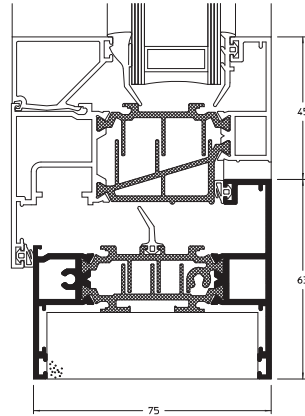
**Exposure category varies with width/height of window and mullion/transom used, as these are the only unsupported members. An accurate figure can be obtained using BS6399:Part 2 calculations and inertia values.

General Arrangements

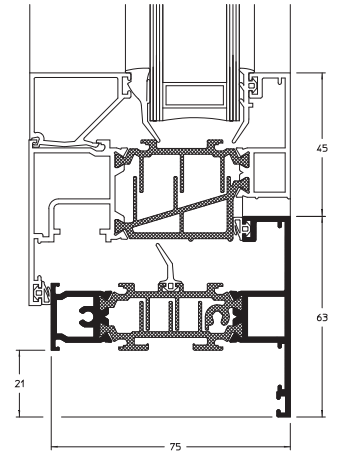
Cill Details



Cill with standard outerframe

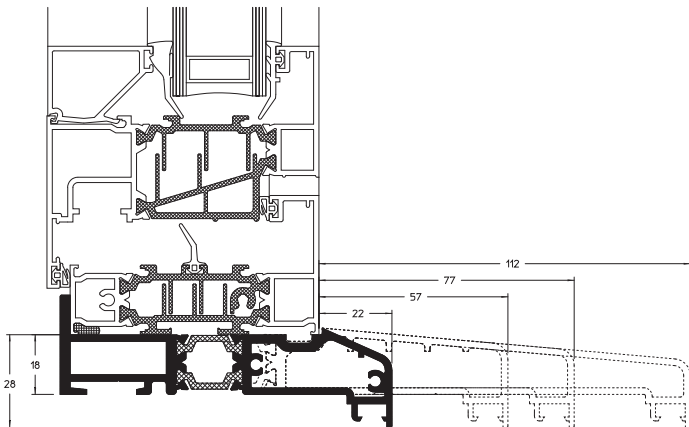


Cill with extended leg outerframe

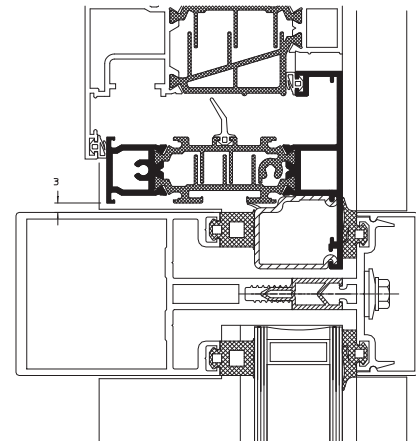


Cill with unequal leg outerframe

Curtain Wall Detail

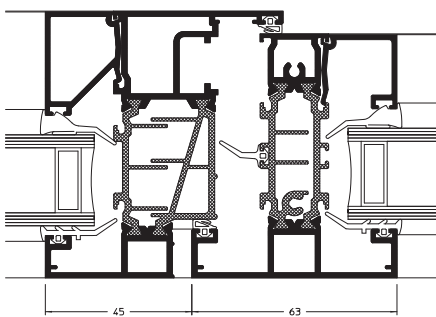


Subcill options

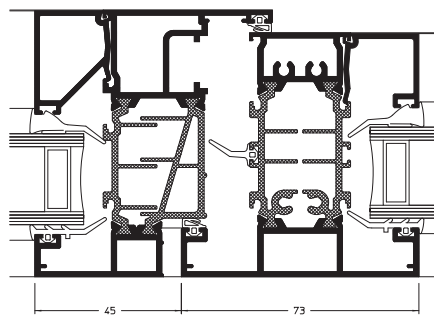


Curtain wall interface

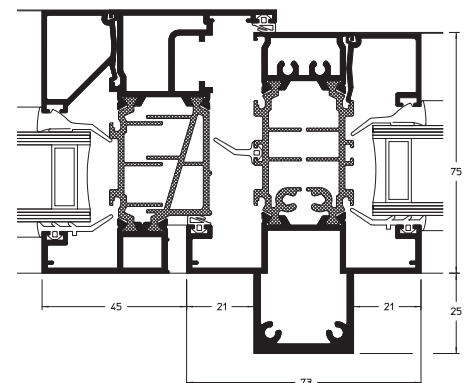
Mullion/Transom Details



63mm Mullion/Transom



73mm Mullion/Transom



Heavy Duty 73mm Mullion/Transom

Key Fabrication Benefits

- Main profiles available in 6.5m bar length for improved optimisation
- Cast cleats allow for choice of crimped, screw ported or pinned construction
- Seals are a push fit into retaining grooves, saving fabrication time and ensuring the external seals cannot be removed after installation
- Outer frame profiles are symmetrical, enabling the same frame to be used for internally or externally glazed applications
- Reverse Rebate Adaptor eliminates the need for couplers to reverse glazing
- Bead clip, removing the need to reverse frame, which keeps position of sightlines to a minimum and reduces manufacturing cost

Sizes

Fixed Light

Maximum area: 5 sq.m

TBT Opening Light

Minimum Width	411 mm	Minimum Height	521 mm
Maximum Width	1400 mm	Maximum Height	2400 mm
Maximum Sash Weight	100 kg*		

All sizes given are in millimetres, all opening light maximum and minimum sizes relate to the overall sash rebate size of the opening light frame and not the outerframe. Opening light size = sash rebate size plus 40mm. For further details of overall sizes please consult Sapa Building Systems' detailed Product Manual.

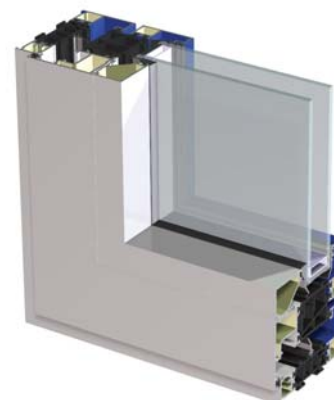
* - Depending on height and width ratio. Consult Sapa for further details

Our policy is one of continuous development and consequently we reserve the right to vary the products and their performance specification shown in this literature without notice. The images shown in this brochure are for illustration purposes only and must not be relied upon for specification. All products and systems which Sapa supply are supplied subject to Sapa's standard Terms and Conditions of Sale.

© Sapa Building Systems Limited

This brochure is issued subject to the condition that it shall not be reproduced without the consent of Sapa Building Systems Limited in writing.

This brochure reference **DFC47 0109**



Sapa Building Systems Ltd

Postal address **Alexandra Way, Ashchurch, Tewkesbury, Gloucestershire GL20 8NB**
Telephone **01684 853500** Fax **01684 851850**
Email **info@sapabuildingsystems.co.uk** Website **www.sapabuildingsystems.co.uk**

sapa:

Architectural **Aluminium** Solutions